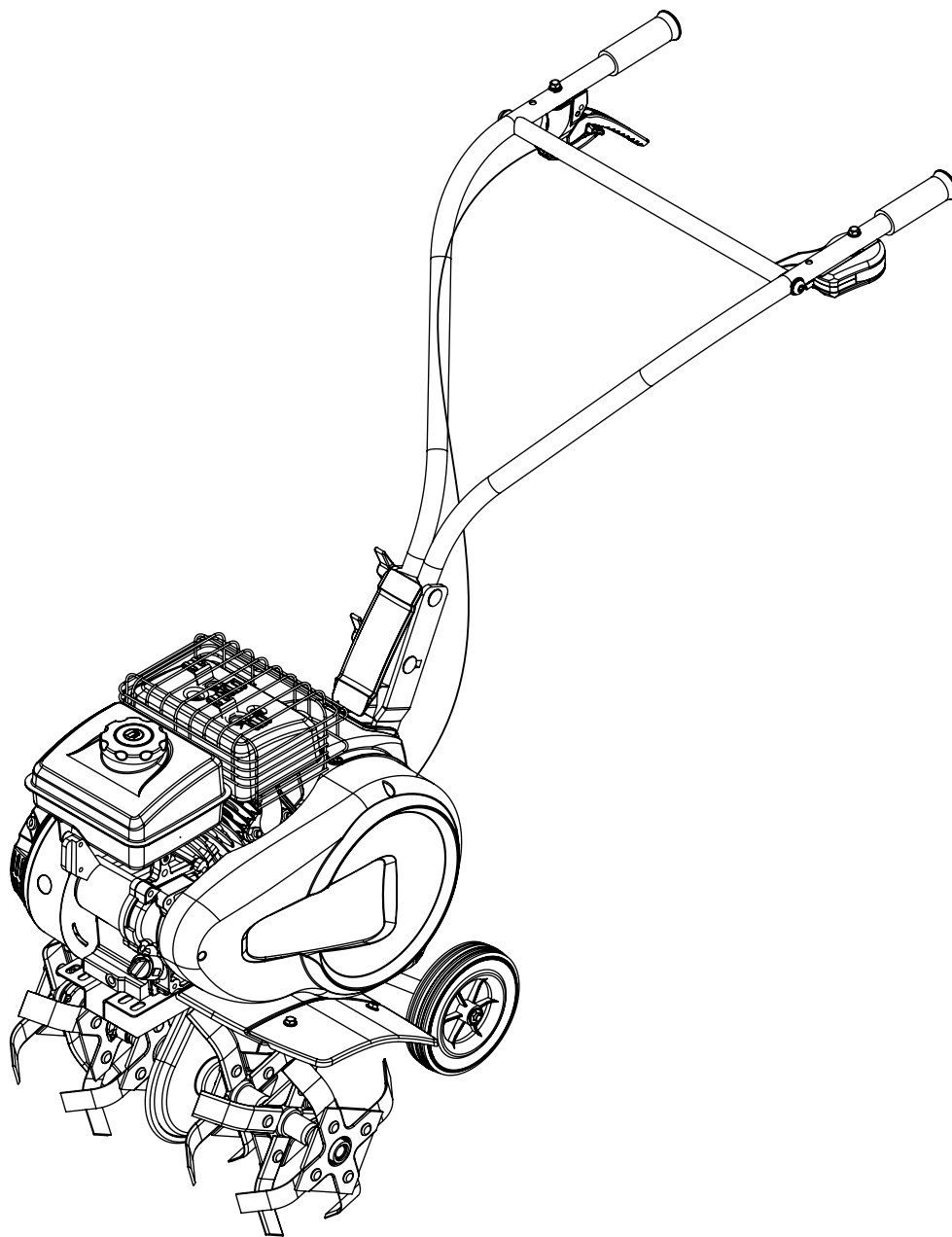
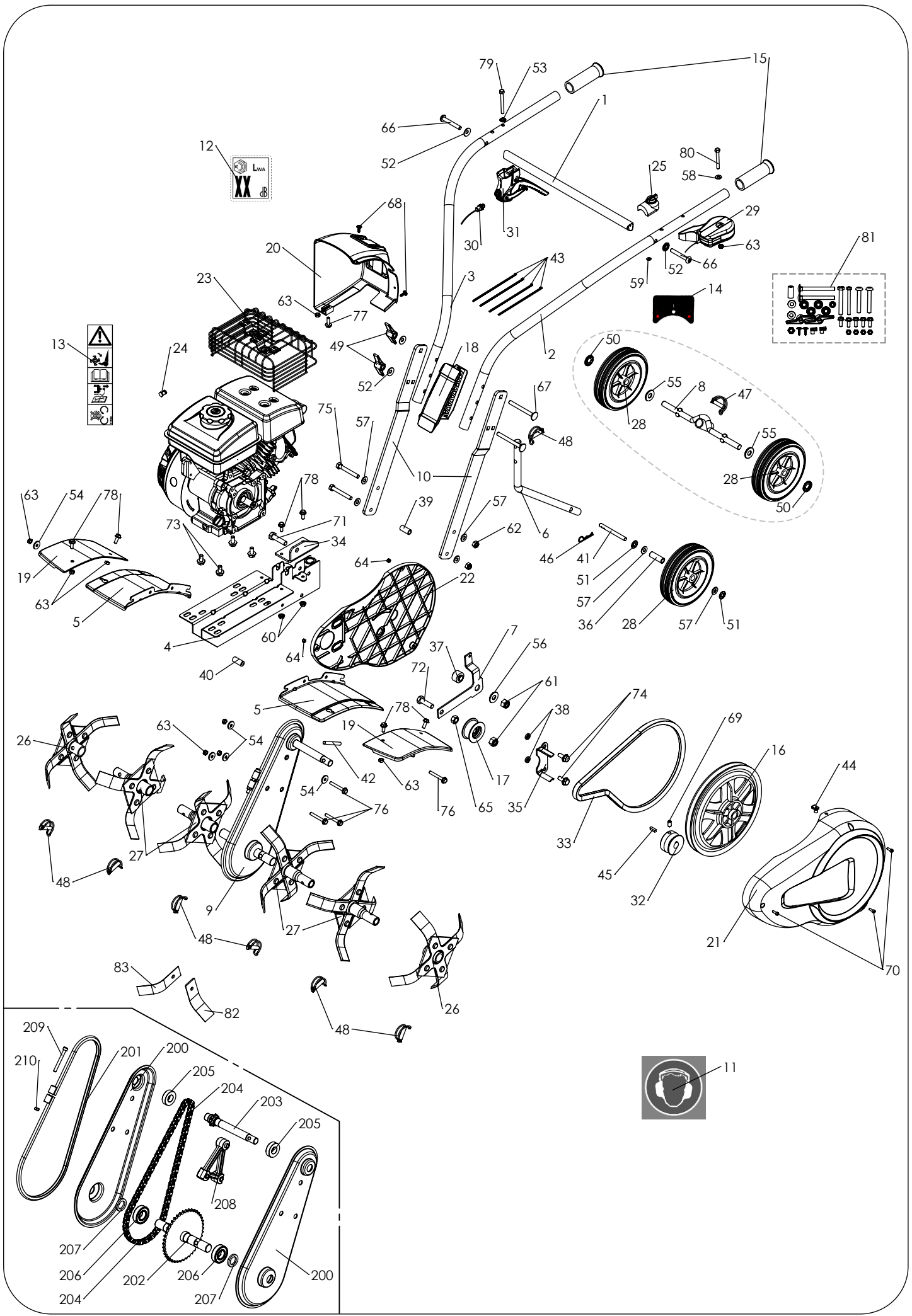


Pièces de rechange Spare parts list **6000xx05xx**



***MINIBINEUSE
MINITILLER***



| Rep N° | Ref. | Désignation | Description | Moteur Engine | Qty |
|--------|------------|--|--|-------------------------|-----|
| 1 | 6502020704 | TUBE LIAISON GUIDON M1005 GRIS 8201 | HANDLEBAR LINK TUBE M1005 GREY 8201 | | 1 |
| 1 | 6502022004 | TUBE LIAISON GUIDON M1005 VERT RAL 6029 | HANDLEBAR LINK TUBE M1005 VERT RAL 6029 | | 1 |
| 1 | 6502023604 | TUBE LIAISON GUIDON M1005 VERT P381C | HANDLEBAR LINK TUBE M1005 GREEN P381C | | 1 |
| 1 | 6502021304 | TUBE LIAISON GUIDON M1005 ROUGE RAL 3001 | HANDLEBAR LINK TUBE M1005 RED RAL 3001 | | 1 |
| 2 | 6502020503 | GUIDON GAUCHE M1005 GRIS 8120 | LEFT HANDLEBAR M1005 GREY 8120 | | 1 |
| 2 | 6502020703 | GUIDON GAUCHE M1005 GRIS 8201 | LEFT HANDLEBAR M1005 GREY 8201 | | 1 |
| 2 | 6502023603 | GUIDON GAUCHE M1005 VERT P381C | LEFT HANDLEBAR M1005 GREEN P381C | | 1 |
| 2 | 6502020303 | GUIDON GAUCHE M1005 NOIR RAL 9005 | LEFT HANDLEBAR M1005 BLACK RAL 9005 | | 1 |
| 3 | 6502020502 | GUIDON DROIT M1005 GRIS 8120 | RIGHT HANDLEBAR M1005 GREY 8120 | | 1 |
| 3 | 6502020302 | GUIDON DROIT M1005 NOIR RAL 9005 | RIGHT HANDLEBAR M1005 BLACK RAL 9005 | | 1 |
| 3 | 6502020702 | GUIDON DROIT M1005 GRIS 8201 | RIGHT HANDLEBAR M1005 GREY 8201 | | 1 |
| 3 | 6502023602 | GUIDON DROIT M1005 VERT P381C | RIGHT HANDLEBAR M1005 GREEN P381C | | 1 |
| 4 | 6002051802 | CHASSIS FTS LARGE VERT RAL6005 | FRAME OF FTS GREEN RAL 6005 | | 1 |
| 4 | 6002050602 | CHASSIS FTS LARGE GRIS 627 | FRAME OF FTS GREY 627 | | 1 |
| 4 | 6002050502 | CHASSIS FTS LARGE GRIS 8120 | FRAME OF FTS GREY 8120 | | 1 |
| 4 | 6002050302 | CHASSIS FTS LARGE NOIR RAL9005 | FRAME OF FTS BLACK RAL9005 | | 1 |
| 5 | 6002050501 | TOLE DE PROTECTION M1202 GRIS 8120 | TINE GUARD M1202 GREY 8120 | | 2 |
| 5 | 6002050601 | TOLE DE PROTECTION M1202 GRIS 627 | TINE GUARD M1202 GREY 627 | | 2 |
| 5 | 6002051301 | TOLE DE PROTECTION M1202 ROUGE RAL 3001 | TINE GUARD M1202 RED RAL 3001 | | 2 |
| 6 | 6002040205 | EPERON FTS xZN | SPUR FTS ZINC PLATED | | 1 |
| 7 | 6002040106 | PLATINE LEVIER EMBR FTS | PLATE FOR CLUTCH LEVER FTS | | 1 |
| 8 | 6002010311 | SUPP ROUE DOUBL MECABECH NOIR RAL9005 | DOUBLE WHEEL SUPPORT MECAB BLACK RAL9005 | | 1 |
| 9 | 6001040003 | CART 1/4,6 JONC x FTS NOIR RAL9005 | FTS TRANSMISSION BLACK RAL9005 | | 1 |
| 10 | 3002180606 | PLAT POTENCE GUID 40x6 EMB 6.5 GRIS (627) | HANDLEBAR BRACKET 40x6 DRAW6.5 GREY (627) | | 1 |
| 10 | 3002180506 | PLAT POTENCE GUID 40x6 EMB 6.5 GRIS (8120) | HANDLEBAR BRACKET 40x6 DRAW6.5 GREY (8120) | | 1 |
| 10 | 3002180306 | PLAT POTENCE GUID 40x6 EMB 6.5 NOIR RAL 9005 | HANDLEBAR BRACKET 40x6 DRAW6.5 BLACK RAL 9005 | | 2 |
| 11 | 0503000077 | ETIQ. "SECURITE" 31x31 MM PROTECTION AUDITIVE | SAFTY STICKER EARS PROTECTION | | 1 |
| 12 | 0503000062 | "ETIQ. ""NIVEAU DE BRUIT"" 93 | STICKER NOISE LEVEL '93Db' | | 1 |
| 13 | 0503000036 | "ETIQ. ""SECURITE 5 LOGOS""Xce | STICKER SECURITY | | 1 |
| 14 | 0503000031 | "ETIQ. ""MARCHE/ARRET""/SWITCH DIM 20 X 15 | STICKER SWITCH ON/OFF GX | | 1 |
| 15 | 0341000038 | POIGNEE PVC SOUPLE D22 | HAND SIDE GRIP Ø22 | | 2 |
| 16 | 0341000007 | POULIE POLYA. xINV MECAX | TRANSMISSION PULLEY | | 1 |
| 17 | 0341000003 | GALET 2 EPAULEMENTS ROUL 6200 ZZ | CLUTCH RUNNER ROUL 6200 ZZ | | 1 |
| 18 | 0340060059 | CACHE POTENCE M1005 VERT RAL 6029 | HANDLEBAR JUNCTION M1005 GREEN RAL 6029 | | 1 |
| 18 | 0340060055 | CACHE POTENCE M1005 BLEU RAL 5010 | HANDLEBAR JUNCTION M1005 BLUE RAL 5010 | | 1 |
| 18 | 0340060040 | CACHE POTENCE M1005 POURPRE P228C | HANDLEBAR JUNCTION M1005 PURPLE P228C | | 1 |
| 18 | 0340060039 | CACHE POTENCE M1005 ROUGE RAL 3001 | HANDLEBAR JUNCTION M1005 RED RAL 3001 | | 1 |
| 18 | 0340060029 | CACHE POTENCE M1005 NOIR RAL9005 | HANDLEBAR JUNCTION M1005 BLACK RAL9005 | | 1 |
| 19 | 0340060058 | TOLE ADD PROT M1202 VERT RAL6029 | ADDITIONNAL TINE GUARD M1202 GREEN RAL6029 | | 2 |
| 19 | 0340060054 | TOLE ADD PROT M1202 BLEU RAL5010 | ADDITIONNAL TINE GUARD M1202 BLUE RAL5010 | | 2 |
| 19 | 0340060051 | TOLE ADD PROT M1202 ROUGE RAL3001 | ADDITIONNAL TINE GUARD M1202 RED RAL3001 | | 2 |
| 19 | 0340060048 | TOLE ADD PROT M1202 NOIR RAL9005 | ADDITIONNAL TINE GUARD M1202 BLACK RAL9005 | | 2 |
| 20 | 0340060057 | CAPOT ARRIERE M1202 VERT RAL 6029 | BACK COVER M1202 GREEN RAL 6029 | | 1 |
| 20 | 0340060053 | CAPOT ARRIERE M1202 BLEU RAL 5010 | BACK COVER M1202 BLUE RAL 5010 | | 1 |
| 20 | 0340060047 | CAPOT ARRIERE M1202 NOIR RAL9005 | BACK COVER M1202 BLACK RAL9005 | | 1 |
| 20 | 0340060050 | CAPOT ARRIERE M1202 ROUGE RAL 3001 | BACK COVER M1202 RED RAL 3001 | | 1 |
| 21 | 0340060056 | CAPOT COURROIE M1202 VERT RAL 6029 | BELT COVER M1202 GREEN RAL 6029 | | 1 |
| 21 | 0340060052 | CAPOT COURROIE M1202 BLEU RAL 5010 | BELT COVER M1202 BLUE RAL 5010 | | 1 |
| 21 | 0340060046 | CAPOT COURROIE M1202 NOIR RAL9005 | BELT COVER M1202 BLACK RAL9005 | | 1 |
| 21 | 0340060049 | CAPOT COURROIE M1202 ROUGE RAL 3001 | BELT COVER M1202 RED RAL 3001 | | 1 |
| 22 | 0340060020 | CACHE INT CAPOT FTS NOIR RAL9005 | PLASTIC COVER PLATE FTS BLACK RAL9005 | | 1 |
| 23 | 0330082001 | GRILLE ECHAPP GT241 | EXHAUST GRILL GT241 | GT241 | 1 |
| 23 | 0330072001 | GRILLE ECHAP FJ100 KAWASAKI | EXHAUST GRILL FJ100 KAWASAKI | FJ 100 D | 1 |
| 23 | 0330062002 | GRILLE ECHAPP LONCIN 87cc | EXHAUST GRILL LONCIN 87cc | LC 87 | 1 |
| 23 | 0330092002 | GRILLE ECHAP R100 | EXHAUST GRILL R100 | R100 | 1 |
| 24 | 0330072002 | BARILLET COMMANDE GAZ | GAS CYLINDER CONTROL | FJ100D | 1 |
| 25 | 0330062001 | SWITCH ON/OFF LONCIN | SWITCH ON/OFF LONCIN | FJ100D/R100/Lc154 | 1 |
| 26 | 0320010018 | FRAISE DISQUE 30X3 D240 NOIR MECABECHE | DISK TINE D240 STRAIGHT BLADE (30X3) | | 2 |
| 27 | 0320010017 | FRAISE DEPART 30X3 D240 NOIR / MECABECHE | TINE REMOVABLE Ø240 STRAIGHT BLADE (30X3) | | 4 |
| 28 | 0309000032 | ROUE D150 MOYEU ALES 12.7 LG37.7 | BLACK WHEEL D150 BORE 12 L37.7 | | 3 |
| 29 | 0308040051 | CABLE+MANETTE GAZ KONGSBERG LG1300 CF48.5 | THROTTLE LEVER+CABLE KONGSBERG LG1300 CF48.5 | FJ100D/GT241/550 SERIES | 1 |
| 30 | 0308020051 | CABLE EMB Lg 900 CF130 LAKS EMB CLIP | CLUTCH CABLE LG900 CF130 LAKS LEVER x CLIP TIP | | 1 |
| 31 | 0307010030 | LEVIER EMB LAKS C27 ECROU M6 TEMPO EMBRAYAGE | HANDLEVER LAKS C27 NUT M6 CLUTCHING SYMBOL | | 1 |
| 32 | 0306060003 | POULIE MOT D50 ALES 15 MOT GXH50 SPB/ACTIVE 52 | ENGINE PULLEY D50 BORE Ø15 GXH50 SPB/ACTIVE 52 | | 1 |
| 33 | 0306030053 | COURROIE MITSUBOSHI xLA36x Label Orange | BELT MITSUBOSHI LA36 Orange label | | 1 |
| 34 | 0304000280 | EQUERRE SUPPORT LEVIER EMBR FTS | SUPPORT FOR CLUTCH LEVER FTS | | 1 |
| 35 | 0304000036 | GUIDE COURROIE POULIE D50 | DRIVE BELT ENGINE PULLEY D50 | | 1 |
| 36 | 0302020108 | ENTR. 12.6x8.2x37.8 POM | PLASTIC SPACER 12.6x8.2x37.8 POM | | 1 |
| 37 | 0302020105 | ENTR. LEVIER EMBR FTS | SPACER FOR CLUTCH LEVER FTS | | 1 |
| 38 | 0302020104 | ENTR. 14x8x3 Z | SPACER 14x8x3 Z | | 2 |
| 39 | 0302020103 | ENTR. 12x8x26 Z | SPACER 12x8x26 Z | | 1 |
| 40 | 0302020102 | ENTR. 12x6x27 Z | SPACER 12x6x27 Z | | 1 |
| 41 | 0302010105 | AXE ROUE DE TRANSP xMECAB02x FAB 18501145 | AXEL OF TRANSPORT WHEEL | | 1 |
| 42 | 0302010021 | AXE FIXATION POULIE INVERSEUR MECANIQUE | PULLEY PIN SHAFT MECANIQUE | | 1 |
| 43 | 0301060003 | COLLIER POLYAM.3.6 X 140 NOIR | COLLAR | | 7 |
| 44 | 0301050003 | CLIP EASYBOSS 40X25X7 | EASYBOSS CLIP 40X25X7 | | 2 |
| 45 | 0301040022 | CLAVETTE 5x5x18 BTS ROND DIN 6885 FORME A | KEY 5x5x18 DIN 6885 A | | 1 |

| Rep N° | Ref. | Désignation | Description | Moteur Engine | Qty |
|--------|------------|---|--|-------------------|-----|
| 46 | 0301030001 | GOUPILLE BETA 2 Z x 50 | CLIP PIN BETA 2 Z | | 1 |
| 47 | 0301010003 | GOUPILLE CLIPS 32 X 8 | CLIP PIN Ø8x32 | | 1 |
| 48 | 0301010003 | GOUPILLE CLIPS 32 X 8 | CLIP PIN Ø8x32 | | 7 |
| 49 | 0300800004 | POIGNEE SERR HELICO 68M8F10 NOIR M8 PA6.6 | Black handlebar tightening lever | | 2 |
| 50 | 0300461201 | RONDELLE STARLOCK DIA 12 | STARLOCK WASHER DIA 12 | | 2 |
| 51 | 0300460801 | RONDELLE STARLOCK DIA 8 | STARLOCK WASHER DIA 8 | | 2 |
| 52 | 0300430801 | RONDELLE CONTACT M8 NF E 25511 | CONTACT WASHER 8 | | 4 |
| 53 | 0300430601 | RONDELLE CONTACT 6 BIC NFE 25-511 | CONTACT WASHER 6 | | 1 |
| 54 | 0300410602 | RONDELLE SPECIALE 6,3X19 X2,5Z | SPECIAL WASHER 6,3 x 19 x 2,5Z | | 5 |
| 55 | 0300401201 | RONDELLE PLATE M 12X27X2.5 Z NFE 25513 | PLATE WASHER M 12X27X2.5 Z NFE 25513 | | 2 |
| 56 | 0300401001 | RONDELLE PLATE M 10X27X2 Z NFE 27611 | PLATE WASHER M 10X27X2 Z NFE 27611 | | 1 |
| 57 | 0300400802 | RONDELLE PLATE M 8X18X1.5 Z NFE 25513 | PLATE WASHER M 8X18X1.5 Z NFE 25513 | | 6 |
| 58 | 0300400602 | RONDELLE PLATE M 6X14X1,2 Z | PLATE WASHER M 6X14X1,2 Z NFE 25513 | | 1 |
| 59 | 0300400301 | RONDELLE PLATE 3,2x10x1 Z | Washer M 3.2x10x1 Z | | 1 |
| 60 | 0300260601 | ECROU HM 6 ZEMB CR DIN 6923 | NUT H M6 Z NOTCHED SHOULDER | | 2 |
| 61 | 0300211001 | ECROU FREIN M 10 Z DIN 985/8 | BLOCKING NUT M 10 Z | | 2 |
| 62 | 0300210802 | ECROU FREIN M 8 Z DIN 985/8 | BLOCKING NUT HM 8 Z DIN 985/8 | | 2 |
| 63 | 0300210602 | ECROU FREIN M 6 Z DIN 985-8 | BLOCKING NUT M 6 Z | | 10 |
| 64 | 0300210401 | ECROU FREIN M 4 Z DIN 985/8 | BLOCKING NUT M 4 Z DIN 985/8 | | 3 |
| 65 | 0300201002 | ECROU H.U. M 10 Z DIN 934 | NUT HM 10Z | | 1 |
| 66 | 0300100802 | VIS BHC 8x55 CL10,9 ZN DEG SANS EMBASE (ISO 7380/1) | SCREW BHC 8x55 CL10,9 ZN DEG WITHOUT BASE (ISO 7380/1) | | 2 |
| 67 | 0300080802 | VIS TRCC 8 X 80/20 Z DIN603 | Screw TRCC M8x80 z DIN 603 cl 4.6 | | 2 |
| 68 | 0300080405 | VIS TOLE TETE POELIER D11 POZI Cr 4.2X16 Z | SCREW POZI 4.2X16Z | | 2 |
| 69 | 0300040801 | VIS STHC 8 X 16 N BT POINTU DIN 914 45H | SCREW ST HC M8X16 DIN 914 45H | | 1 |
| 70 | 0300020401 | VIS CHC M4x10 Z DIN 912 Cl 8.8 | SCREW CHC 4X10 Z DIN 912 Cl 8.8 | | 3 |
| 71 | 0300011004 | VIS H 10 X 40 Z NFEN 24017 | SCREW HM 10X40Z NFEN 24017 | | 1 |
| 72 | 0300011003 | VIS H 10 X 35 FST Z NFEN 24017 | SCREW HM 10X35Z FST | | 1 |
| 73 | 0300010834 | VIS H 8x35 Z EMB CR DIN 6921 | SCREW H 8x35 Z DIN 6921 NOTCHED SHOULDER CL 6.8 | FJ100D/550 SERIES | 4 |
| 73 | 0300010815 | VIS H 8x16 Z EMB CR DIN 6921 CL 6.8 | SCREW H M8X16 Z NOTCHED SHOULDER CL 6.8 | GT241/R100/Lc154 | 4 |
| 73 | 0300260801 | ECROU HM 8 ZEMB CR DIN 6923-8 | NUT H M8 Z NOTCHED SHOULDER | FJ100D/550 SERIES | 4 |
| 74 | 0300010816 | VIS H 8x20 Z EMB CR | SCREW H M8X20 Z NOTCHED SHOULDER CL 8.8 | | 2 |
| 74 | 0300010815 | VIS H 8x16 Z EMB CR DIN 6921 CL 6.8 | SCREW H M8x16 Z NOTCHED SHOULDER CL 6.8 | 550 SERIES | 2 |
| 75 | 0300010811 | VIS H 8 X 60/22 Z CL8.8 DIN931 | SCREW HM8 x 60/22 Z CL8.8 DIN931 | | 2 |
| 76 | 0300010619 | VIS H 6x45 Z EMB CR DIN 6921 | SCREW H 6x45 Z DIN 6921 NOTCHED SHOULDER CL 6.8 | | 4 |
| 77 | 0300010610 | VIS H 6x20 Z EMB CR DIN 6921 | Screw HM 6x20 notched shoulder | | 1 |
| 78 | 0300010609 | VIS H 6x16 Z EMB CR DIN 6921 | SCREW HM 6X16 Z NOTCHED SHOULDER | | 6 |
| 79 | 0300010606 | VIS H 6X60 Z CL 6.8 NFEN 24017 | SCREW H 6 X 60 Z CL 6.8 NFEN 24017 | | 1 |
| 80 | 0300010605 | VIS H 6 X 50 Z NFE 24017 CL6.8 | SCREW H 6 X 50 Z NFE 24017 CL6.8 | | 1 |
| 81 | 0300000040 | POCH. VISS xM1202 | BAG OF SCREW FOR M1202 | | 1 |
| 82 | 0001000292 | COUTEAU 30X3 D240 BIS EXT PLI 2 BISEAUX SUR EXT PLI | Outside blade 30x3 D240 | | 1 |
| 83 | 0001000291 | COUTEAU 30X3 D240 BIS INT PLI 2 BISEAUX SUR INT PLI | Inside blade 30x3 D240 | | 1 |
| | | | | | |
| 200 | 6002010306 | JOUE CARTER 1/4,6 xNOIRx | BLACK TRANSMISSION HOUSINGx1/4 MECABECHE | | 2 |
| 201 | 6002010305 | JONC- CARTER 1/4,6 NOIR RAL9005 | FLANGE 1/4,6 x MECABECHE/FTS BLACK RAL9005 | | 1 |
| 201 | 6002010505 | JONC- CARTER 1/4,6 GRIS (8120) | FLANGE 1/4,6 x MECABECHE/FTS GREY (8120) | | 1 |
| 201 | 6002010605 | JONC- CARTER 1/4,6 GRIS (627) | FLANGE 1/4,6 x MECABECHE/FTS GREY (627) | | 1 |
| 201 | 6002012305 | JONC- CARTER 1/4,6 BLEU P301 | FLANGE 1/4,6 x MECABECHE/FTS BLUE P301 | | 1 |
| 201 | 6002013405 | JONC- CARTER 1/4,6 JAUNE RAL1033 | FLANGE 1/4,6 x MECABECHE/FTS YELLOW RAL1033 | | 1 |
| 201 | 6002013505 | JONC- CARTER 1/4,6 GRIS RAL7000 | FLANGE 1/4,6 x MECABECHE/FTS GREY RAL7000 | | 1 |
| 201 | 6002013605 | JONC- CARTER 1/4,6 VERT P381C | FLANGE 1/4,6 x MECABECHE/FTS GREEN P381C | | 1 |
| 202 | 0306050009 | ARBRE TRAVAIL xMECABECHEx 42 DTS 9,525 | BLADE SHAFT xMECABECHEx 42 PITCH 9,525 | | 1 |
| 203 | 0306050037 | ARBRE PRIMAIRE 9 DTS 9.525 LG. 160.65mm | PRIMARY SHAFT x FTS 9 PITCH 9,525 LG. 160.65mm | | 1 |
| 204 | 0306020010 | CHAINE ISO 06B-1 pas 9.525mm 84 maillons RSF | CHAIN 9.52 (84 LINKS RSF) | | 1 |
| 205 | 0306010006 | ROULEMENT 6003 2RS | BALL BEARING 6003 2RS | | 2 |
| 206 | 0306010007 | ROULEMENT 6004 2RS | BALL BEARING 6004 2 RS | | 2 |
| 207 | 0341000030 | JOINT FEUTRE 20X30X4 | RING 20X30X4 | | 2 |
| 208 | 0341000002 | ENTRETOISE CARTER xMECABECHEx | PLASTIC SPACER FOR TRANSMISSIO MECABECHE | | 1 |
| 209 | 0300020607 | VIS CHC 6 X 55 Z | SCREW CHC 6 X 55 Z | | 1 |
| 210 | 0300210602 | ECROU FREIN M 6 Z DIN 985-8 | BLOCKING NUT M 6 Z | | 1 |